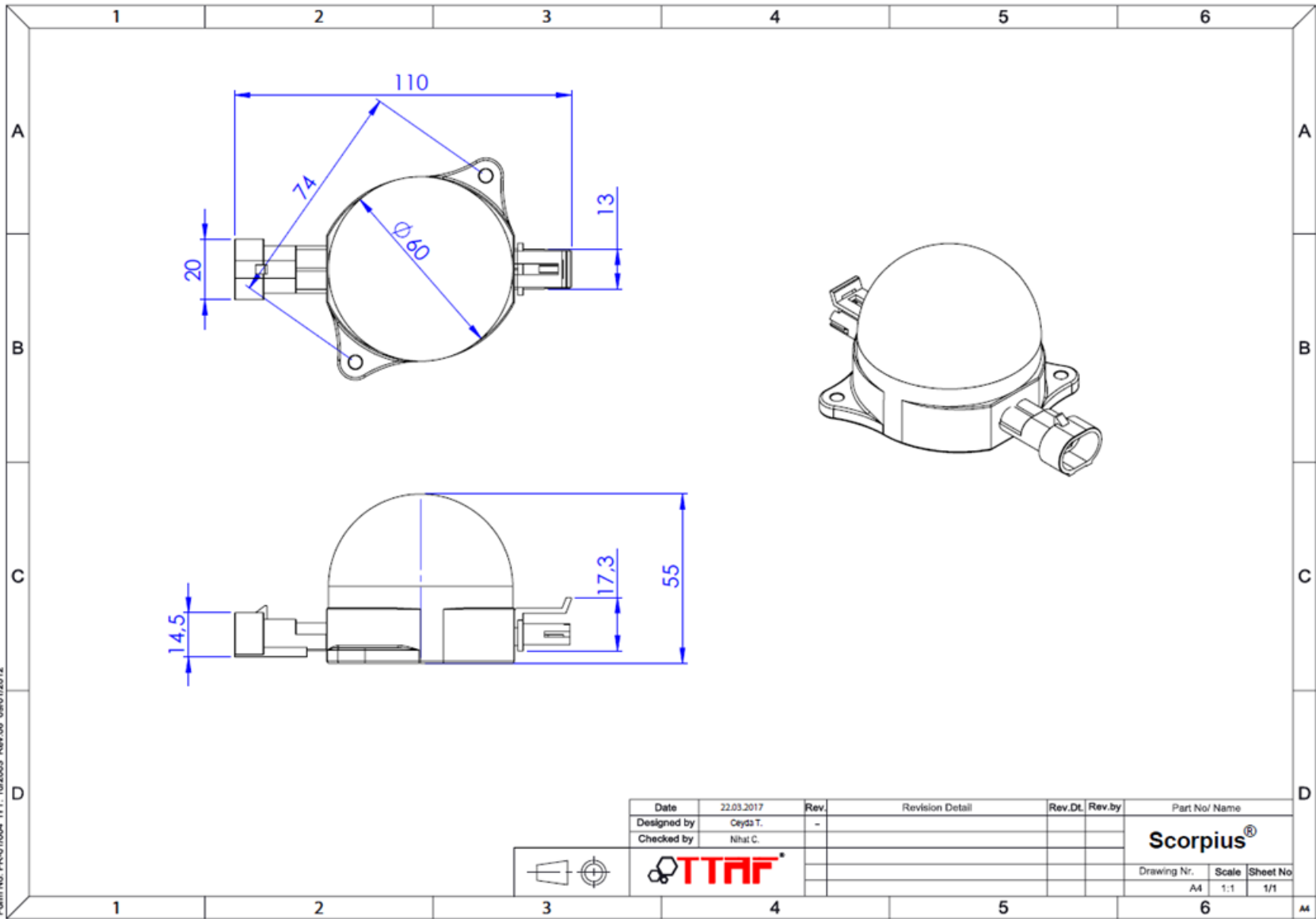


Form No. FFR-011004. IYT: 10/2003. Rev:06. 09/01/2012



Date	22.03.2017	Rev.	-	Revision Detail		Rev.Dt.		Rev.by		Part No/ Name	
Designed by	Ceyda T.									Scorpius®	
Checked by	Nihat C.										



Drawing Nr.	Scale	Sheet No.
A4	1:1	1/1

A4