

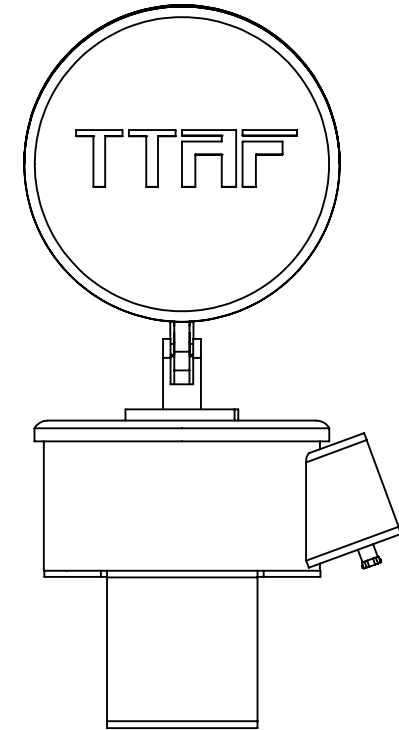
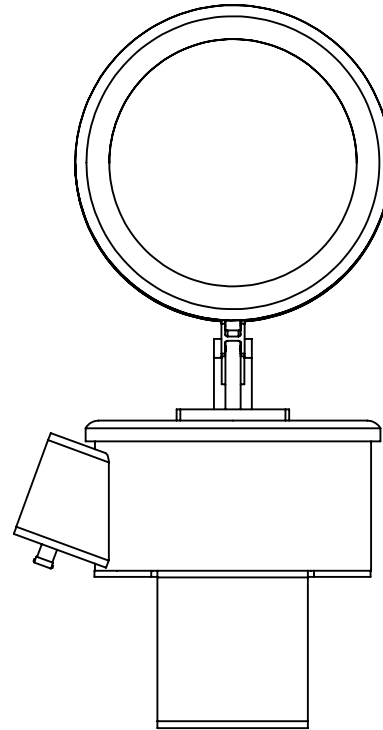
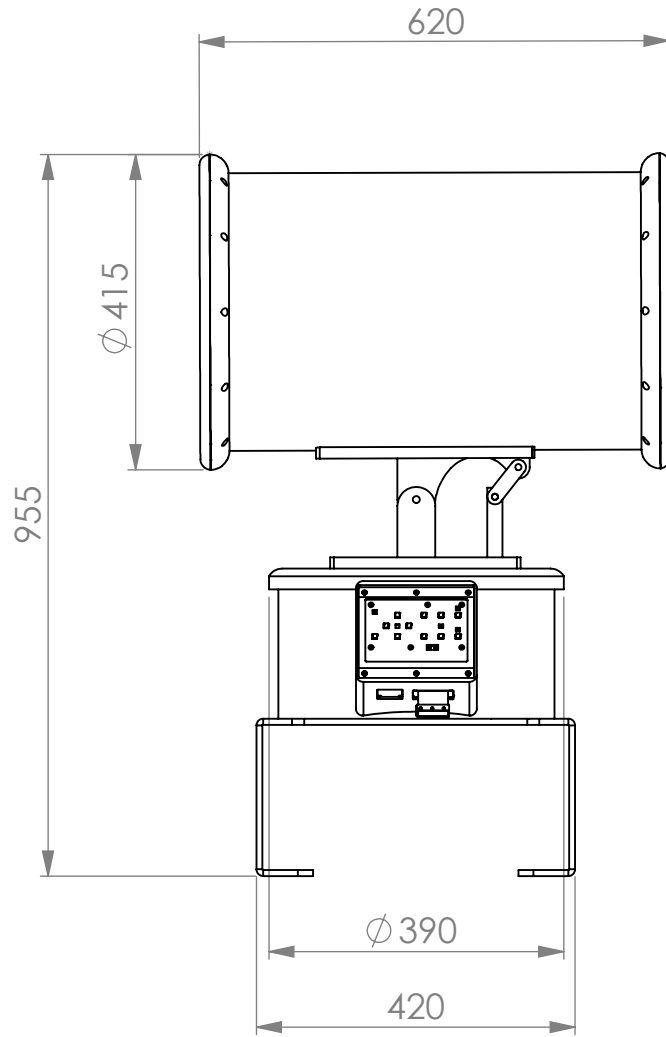
TOL. UNLESS SPECIAL SEE STANDARD TOLERANCE		Scale To Fit				
NOMINAL DIMENSION	0-30	30-100	100-200	200-400	400-1000	
0	± 0.1	± 0.2	± 0.3	± 0.5	± 1	
0.0	± 0.05	± 0.05	± 0.1	± 0.2	± 0.3	
0.00	± 0.01	± 0.02	± 0.05	± 0.05	± 0.1	

A

B

C

D



A

B

C

D

Material	-
----------	---

Date	Signature	Rev.	Revision Detail	Rev.Date	By	Drawing Description		
Drawn	Baris ILDAS	-	-	-	-	-		
Checked	Gokhan ERDOGAN							
Approved	Orcun KARADENIZ							
						Drawing No	Scale	Sheet
						-	-	1/1

1

2

3

4

5

6

A4